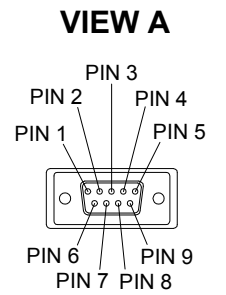
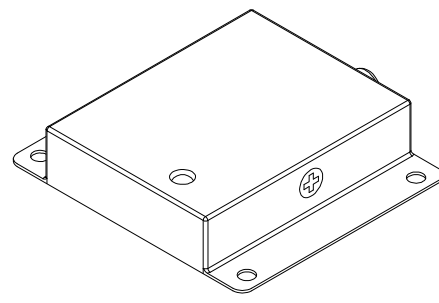
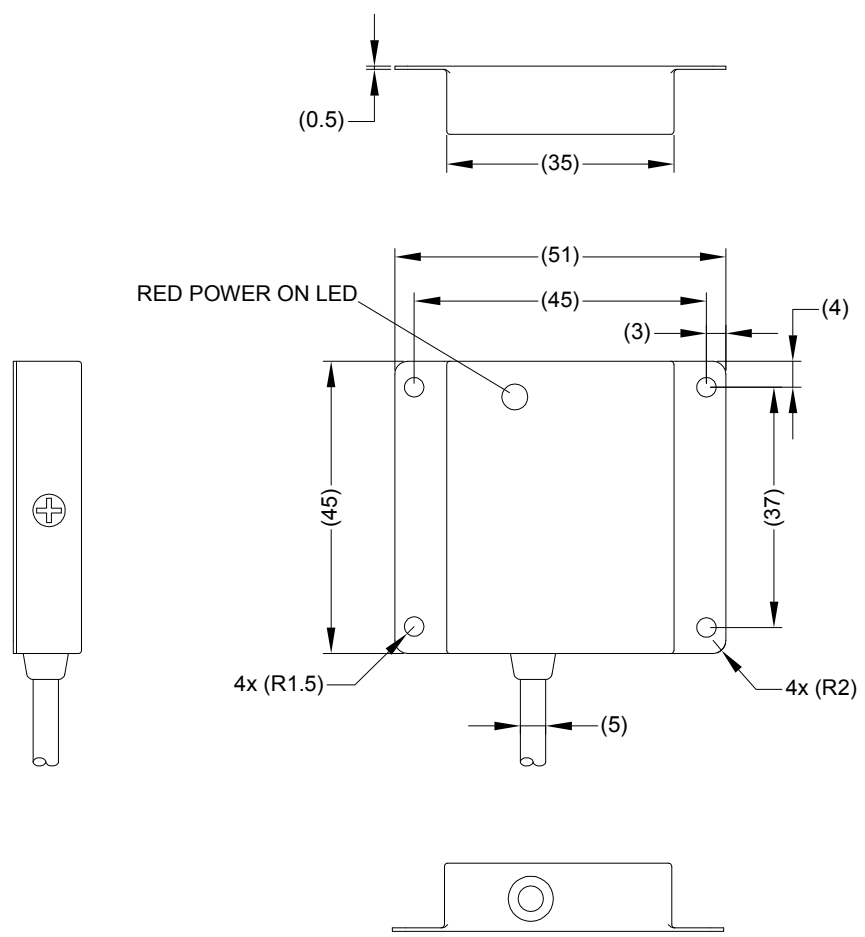
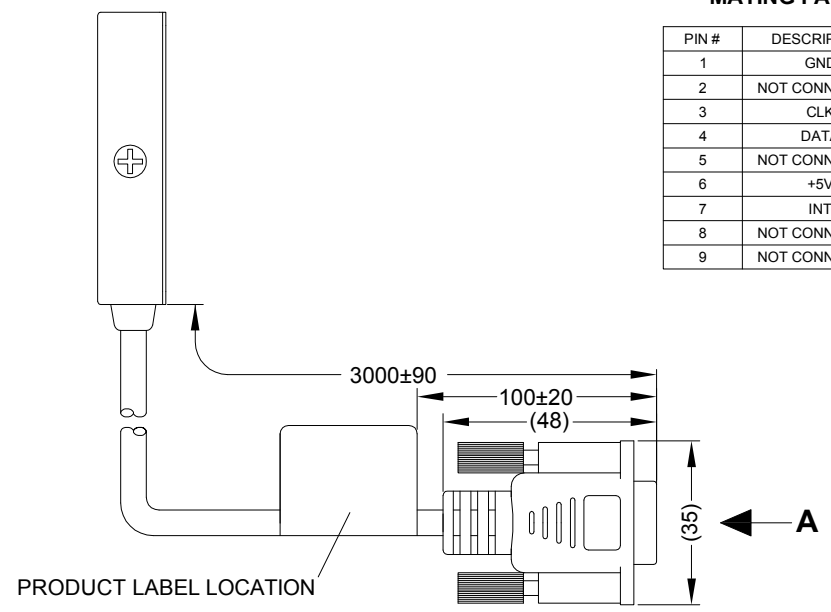


| | | |
|-----------------|----------------|------------------|
| Revision Notes. | | |
| Checked By: - | Approved By: - | Date Released: - |



9 PIN D-SUB FEMALE MATING FACE

| PIN # | DESCRIPTION |
|-------|---------------|
| 1 | GND |
| 2 | NOT CONNECTED |
| 3 | CLK |
| 4 | DATA |
| 5 | NOT CONNECTED |
| 6 | +5V |
| 7 | INT |
| 8 | NOT CONNECTED |
| 9 | NOT CONNECTED |



- NOTES:
1. FOR USE WITH MDR-304A SERIES ONLY.
 2. SUPPLIED WITH HOOK AND LOOP STICKY PAD.
 3. FOR GIFTBOX LABEL REFER TO LATEST REVISION OF DRAWING: BE-002009-XX-12.
 4. FOR PRODUCT LABEL REFER TO LATEST REVISION OF DRAWING: BE-002008-XX-12.

PROPRIETARY NOTICE
 THIS DESIGN AND TECHNICAL INFORMATION APPEARING ON THIS DRAWING IS THE PROPERTY OF BRIGADE ELECTRONICS, AND IS DISCLOSED IN CONFIDENCE. IT IS NOT TO BE COPIED, REPRODUCED, REVEALED TO OR EXPROPRIATED BY OTHERS, EITHER IN WHOLE OR IN PART WITHOUT THE EXPRESS WRITTEN CONSENT OF BRIGADE ELECTRONICS.



| | | | |
|---|---------------------------|--------------------------------|----------------------|
| Assembly Pl Approval J.SHIH - 09/07/12 | Approved by S.MATTHEWS | Checked by M.BUTLER | Drawn by J.NEWMAN |
| Angle of Projection | Units mm | Scale N/A | Released 11/07/12 |
| | Status RELEASED | Assembly Ref GS-6016B | |
| | Stock Code 4140 | GS-6016-030 BE-001942-00-12 | |